



# Seal and regulator discs

## 陶瓷阀片

**Proven Solutions made by CeramTec**  
赛琅泰克的杰出方案

**CeramTec**  
THE CERAMIC EXPERTS

# Ceramdisc®

## Ceramic Discs and Materials

### 陶瓷阀片和材料

#### Ceramdisc® Ceramic Seal and Regulator Discs – Proven Solutions made by CeramTec

When it comes to developing individual solutions to customer specifications, CeramTec is an experienced and resourceful partner. Many renowned faucet and fitting manufacturers benefit from this partnership approach by developing their discs in cooperation with CeramTec specialists, with respect to:

- operating convenience
- noise reduction / flow rates
- product geometry
  - by optimizing design features, like:
    - reduced contact area
    - hydraulically optimized ports
    - minimum tolerances

#### Ceramdisc® 密封和调节陶瓷阀片，以及CeramTec 的成熟解决方案

在开发个性化解决方案以满足客户具体要求方面，CeramTec 是一家经验丰富，资源充足的合作伙伴。许多著名水阀及配件制造商都受益于这一合作关系，与 CeramTec 的专家一起合作开发自己的阀片，特别是有关下列性能：

- 操作便利性
  - 降低噪音/流量(比)
  - 产品形状
- 优化设计特性，例如：
- 降低接触面积
  - 优化液压性能的接口和出口
  - 降低公差

#### Technical Features and Tolerances | 技术特性和公差

Raw parts   毛坯件	
General tolerances 一般公差	± 0,8 %
Minimum tolerance 最小公差	± 0,1 mm
Ground parts   磨削件	
Thickness 厚度	± 0,05 mm
Ra	≥ 0,6 µm
Flatness 平度	2 – 5 µm
Polished parts   研磨部件	
Thickness 厚度	+ 0,03 mm / - 0,05 mm
Ra	0,1 – 0,3 µm
Surface contact area according to customers requirements 表面接触面积按照客户要求	50 – 80 %
Flatness 平度	< 0,6 µm



#### Ceramdisc® Seal and Regulator Discs

The Ceramdisc® ceramic materials

- Rubalit® A1896
- Rubalit® IS95
- Rubalit® IS95 brown
- Rubalit® IS95 DLC
- Rubalit® A1896 DLC
- CD101

#### Ceramdisc® 密封和调节瓷片

Ceramdisc® 陶瓷材料：

- Rubalit® A1896
- Rubalit® IS95
- Rubalit® IS95 brown
- Rubalit® IS95 DLC
- Rubalit® A1896 DLC
- CD101

**Proven solutions for single-handle mixers...**

A successful system, proved with millions of delivered components: the two-disc ceramic valve assembly ensures reliability, longevity, and high control accuracy. For single-handle mixers, CeramTec produces a wide range of discs. Depending on the cartridge design and the resultant flow layout, we provide seal and regulators discs with the right geometry at the right price.

**单把阀芯的杰出方案**

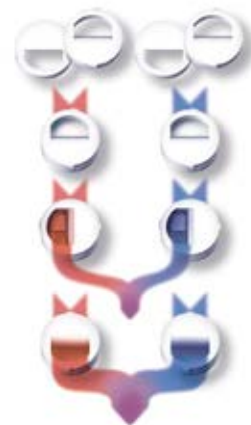
赛琅泰克的成功方案使得数以百万计的阀片交货给客户：双阀片组的应用确保了可靠性，长寿命，以及精确控制。赛琅泰克生产很多用于单把阀芯的陶瓷片。取决于阀芯的设计以及相关的流量，赛琅泰克都可以提供精确几何形状的陶瓷片，并定位于合适的价格。

**...for two handle faucets...**

The sealing and friction behaviour of precision-ground and polished ceramic discs ensure outstanding longevity, optimum sealing performance and superior operating convenience. Mixing of the separate hot and cold water flows takes place inside the faucet body. CeramTec product range includes a selection of favourably priced standard discs for two-handle faucets.

**双把阀芯的杰出方案**

精确研磨和抛光的陶瓷片有着优秀的密封和摩擦性能，确保杰出的寿命，优化的密封性能和超卓的方便使用。冷水和热水的是在阀体内部完成混合。赛琅泰克生产很多用于双把阀芯的标准瓷片，并定位于合适的价格。

**...and diverters**

For bath and shower units, multi-outlet showers and shower panels are gaining in importance. A defined flow of water with finely controlled temperature is achieved with discs of complex shapes and high accuracy.

**分流阀的解决方案**

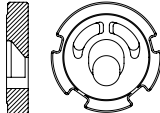
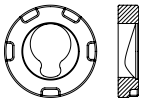
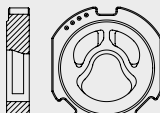
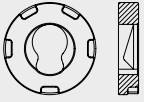
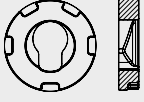
在浴缸和淋浴场合，多组喷头和喷头面板变得更加重要。安装预先设定的流量并精确控制调节温度可以通过赛琅泰克的阀片实现，此种阀片有着更复杂的几何形状，以及更高的精度。

# Ceramdisc®



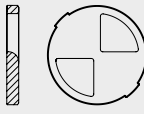

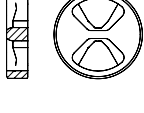


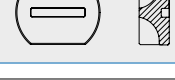



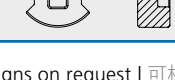
## Standard Products

### 标准产品

#### For Single Handle Faucets | 单柄水龙头的陶瓷阀片

Type 类型	Dimensions 尺寸	Article No. 货品号
  <p>Ceramic disc (Stationary) – 40 mm Cartridge Ceramic disc (Moveable) – 40 mm Cartridge 固定的陶瓷阀片 配于直径40毫米的阀芯 活动的陶瓷阀片 配于直径40毫米的阀芯</p>	<p>Ø 36,9 x 7,0 mm Ø 31,5 x 7,0 mm</p>	<p>59354-00.3 58433-00.3</p>
   <p>Ceramic disc (Stationary) – 35 mm Cartridge Ceramic disc (Moveable) – 35 mm Cartridge Ceramic disc (Moveable) – 35 mm Cartridge 固定的陶瓷阀片 配于直径35毫米的阀芯 活动的陶瓷阀片 配于直径35毫米的阀芯 活动的陶瓷阀片 配于直径35毫米的阀芯</p>	<p>Ø 29,0 x 6,0 mm Ø 27,5 x 6,0 mm Ø 27,5 x 6,0 mm</p>	<p>58524-00.3 58525-00.3 65013-00.3</p>

#### For Two Handle Faucets | 双柄水龙头的陶瓷阀片

Type 类型	Dimensions 尺寸	Article No. 货品号
  <p>Ceramic disc 3/4" (Stationary) 90° Ceramic disc 3/4" (Moveable) 90° 固定的3/4寸陶瓷阀片, 90° 转角 活动的3/4寸陶瓷阀片, 90° 转角</p>	<p>Ø 21,0 x 4,5 mm Ø 21,0 x 7,5 mm</p>	<p>58654-00.3 58655-00.3</p>
  <p>Ceramic disc 3/4" (Stationary) 90° Ceramic disc 3/4" (Moveable) 90° 固定的3/4寸陶瓷阀片, 90° 转角 活动的3/4寸陶瓷阀片, 90° 转角</p>	<p>Ø 21,0 x 2,5 mm Ø 21,0 x 3,0 mm</p>	<p>58940-00.3 58938-40.3</p>
  <p>Ceramic disc 1/2" (Stationary) 90° Ceramic disc 1/2" (Moveable) 90° 固定的1/2寸陶瓷阀片, 90° 转角 活动的1/2寸陶瓷阀片, 90° 转角</p>	<p>Ø 16,7 x 4,0 mm Ø 16,5 x 3,0 mm</p>	<p>57626-00.3 57627-00.3</p>
  <p>Ceramic disc 1/2" (Stationary) 90° Ceramic disc 1/2" (Moveable) 90° 固定的1/2寸陶瓷阀片, 90° 转角 活动的1/2寸陶瓷阀片, 90° 转角</p>	<p>Ø 16,2 x 4,0 mm Ø 16,2 x 7,0 mm</p>	<p>58646-00.3 58647-00.3</p>
  <p>Ceramic disc 1/2" (Stationary) 180° Ceramic disc 1/2" (Moveable) 180° 固定的1/2寸陶瓷阀片, 180° 转角 活动的1/2寸陶瓷阀片, 180° 转角</p>	<p>Ø 16,0 x 3,0 mm Ø 16,0 x 3,0 mm</p>	<p>57451-00.3 57452-00.3</p>
  <p>Ceramic disc 1/2" (Stationary) 90° Ceramic disc 1/2" (Moveable) 90° 固定的1/2寸陶瓷阀片, 90° 转角 活动的1/2寸陶瓷阀片, 90° 转角</p>	<p>Ø 15,8 x 3,2 mm Ø 16,0 x 6,1 mm</p>	<p>58406-00.3 58405-00.3</p>

Further ceramic disc designs on request | 可根据客户要求定制陶瓷片。



**CeramTec GmbH**  
Luitpoldstraße 15  
91207 Lauf, Germany

Phone: +49 91 23 77-564  
Fax: +49 91 23 77-464  
mechanical\_systems@ceramtec.de  
[www.ceramtec.com/ceramdisc](http://www.ceramtec.com/ceramdisc)

All herein aforementioned measured values were determined for test samples and are applicable as standard values. The values were determined on the basis of national or international standards and if these were not available, on the basis of CeramTec internal specifications standards. Statements regarding the suitability of products for certain types of applications are based on knowledge of typical requirements that are often placed on CeramTec products in generic applications and must not be transferred to specific applications. The same applies to the indicated values. The information contained herein does not constitute a guarantee for certain properties. CeramTec and its affiliates do not assume any responsibility for the correctness of such information nor for damages consequent to its use. Please note that all product, product specifications and data detailed in this media are subject to changes.